

Instruction for Use EN

Flex Wall Shower Filter



Description

The Flex Wall Shower Filter of the T-safe Pro Water Filtration range is specifically designed to remove bacteria such as, but not limited to, *Legionella pneumophila* and *Pseudomonas aeruginosa* from tap water to prevent infections in commercial and public settings.

T-safe Flex Wall Shower Filter will effectively retain bacteria for a maximum period of up to 92 days, within the limitations of use as described herein.

This IFU covers the following products

Item	Code
Flex Wall Shower Filter	02-803170
Replacement Filter	02-000187
Waterway Cartridge	02-000186

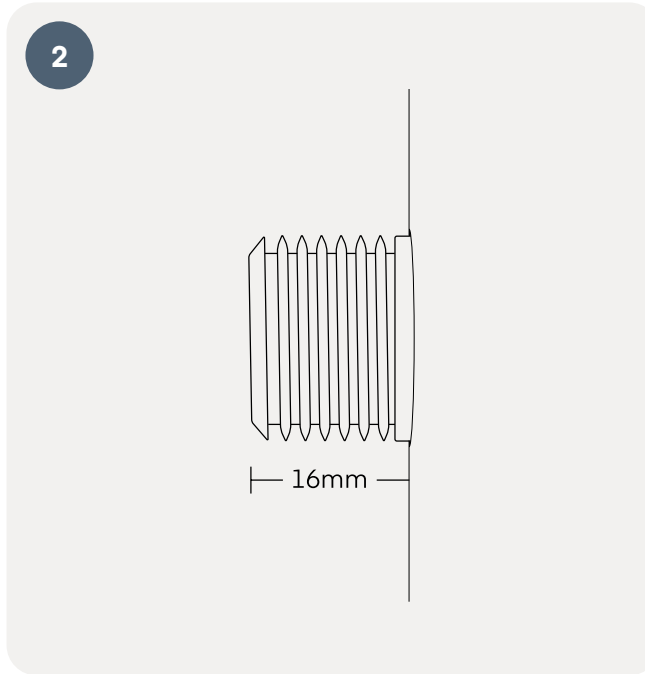
Installation of complete unit

With internal piping

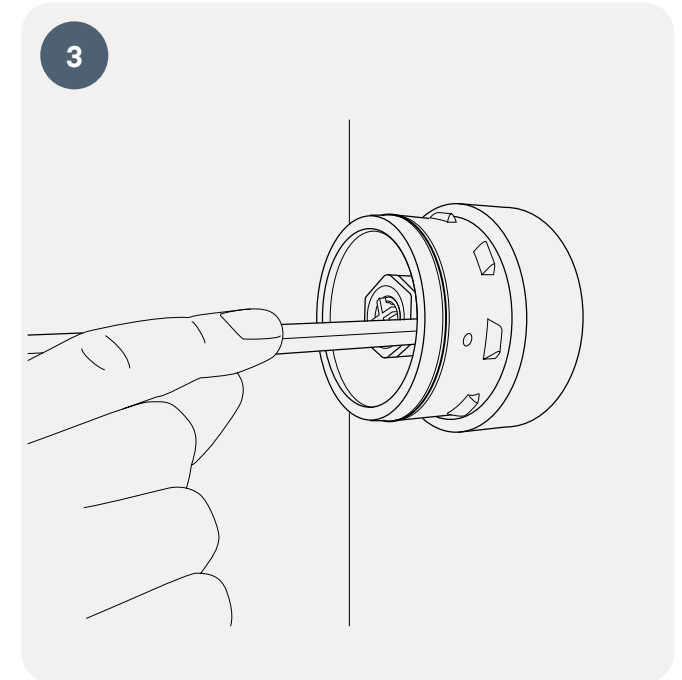


Begin by disassembling the shower head from the black back plate by turning the shower head counterclockwise.

Then, remove the filter cartridge from the back plate.

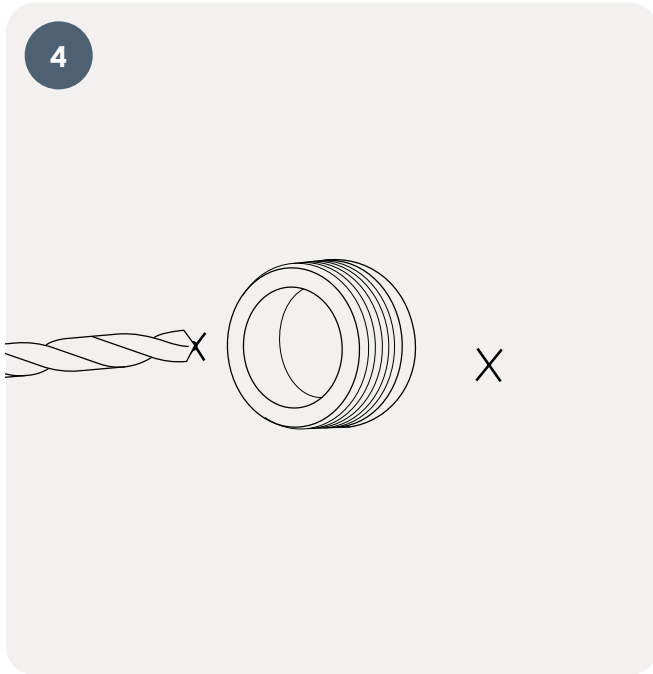


Ensure that the connecting water pipe protrudes a maximum of 16mm from the wall.



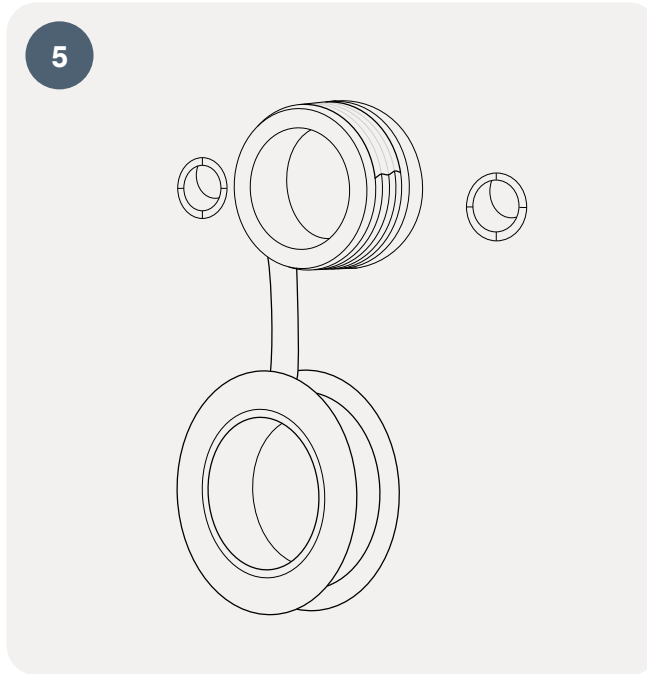
Attach the back plate to the pipe and mark the positions on the wall where you intend to drill holes. Make sure the holes are level.

Once the markings are in place, detach the back plate.

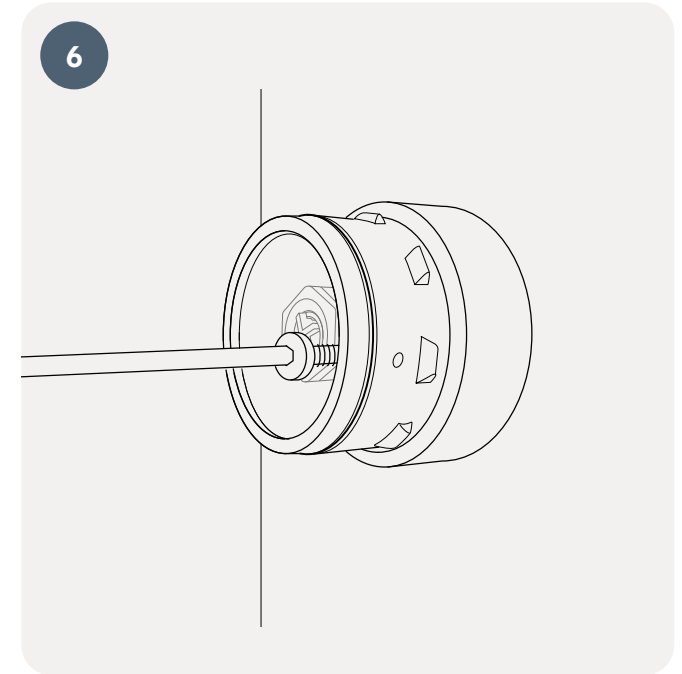


Use an Ø8 drill bit to create holes at the marked positions on the wall.

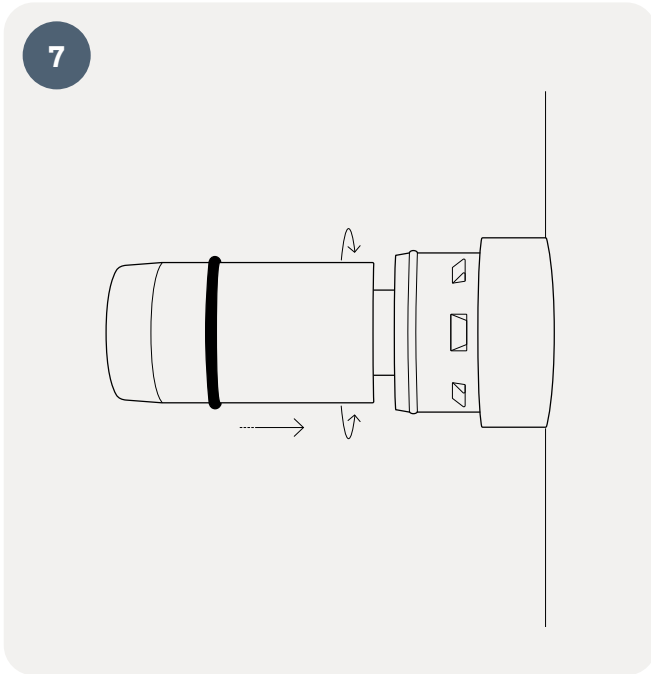
Insert the provided wall plugs into these holes.



To ensure a secure installation, apply an appropriate sealing material around the pipe.

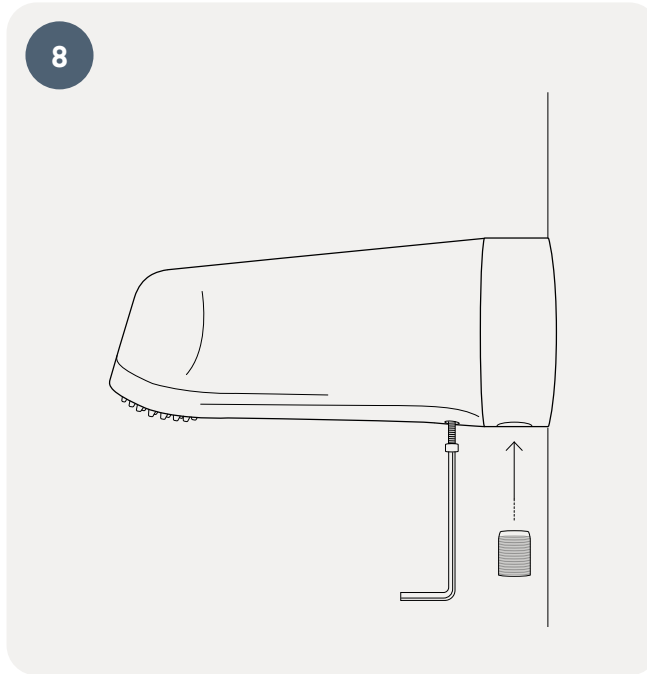


Reattach the back plate to the wall using the screws included with the product.



Install the filter on the back plate by pushing and simultaneously turning it.

Make sure to position the O-ring correctly, right up to the back plate.

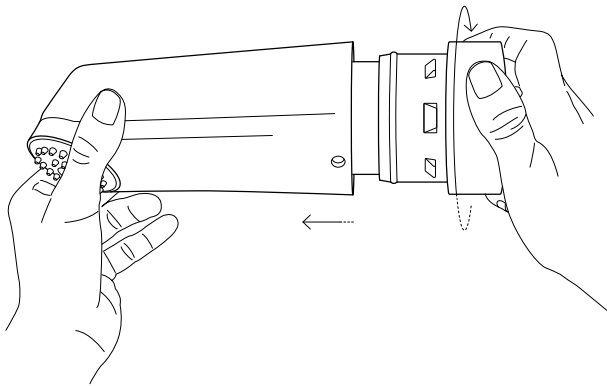


Attach the shower head to the back plate by turning it clockwise. Secure the shower head in place by tightening the screw. Then insert the blind plug.

Installation of complete unit

With external piping

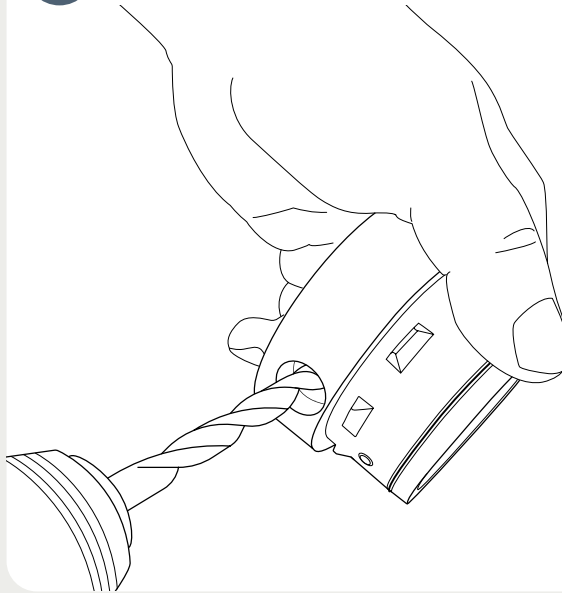
1



Begin by disassembling the shower head from the black back plate by turning the shower head counterclockwise.

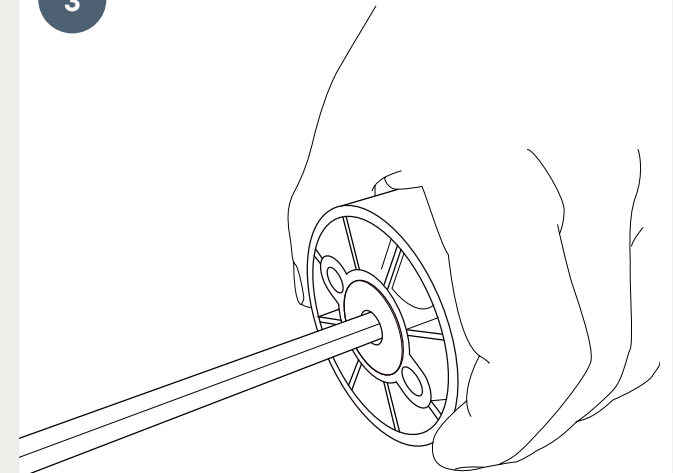
Then, remove the filter cartridge from the back plate.

2



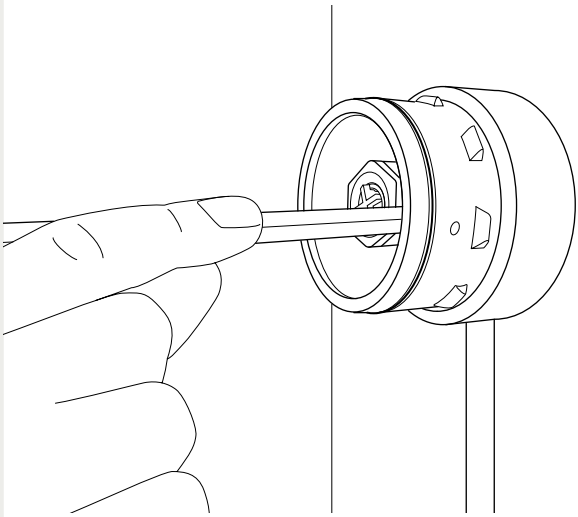
Use an $\text{Ø}8$ drill bit to drill a hole in the back plate as shown on the drawing to make sure water can flow. Stop drilling as soon as the drill bit protrudes the hole.

3



Insert the blind plug and tighten with an 8 mm Allen key. **This is important to block unfiltered water from flowing backwards.**

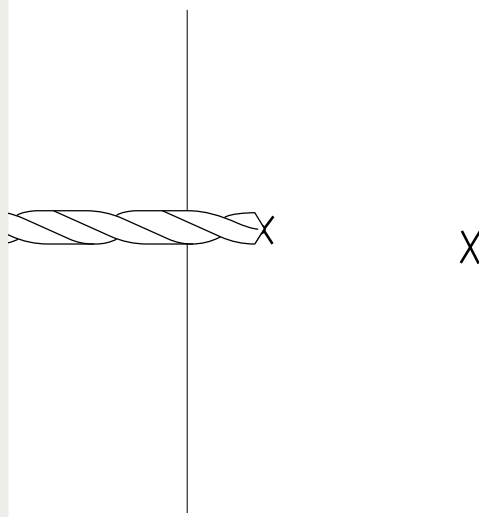
4



Attach the back plate to the external pipe and mark the positions on the wall where you intend to drill holes. Make sure the holes are level.

Once the markings are in place, detach the back plate.

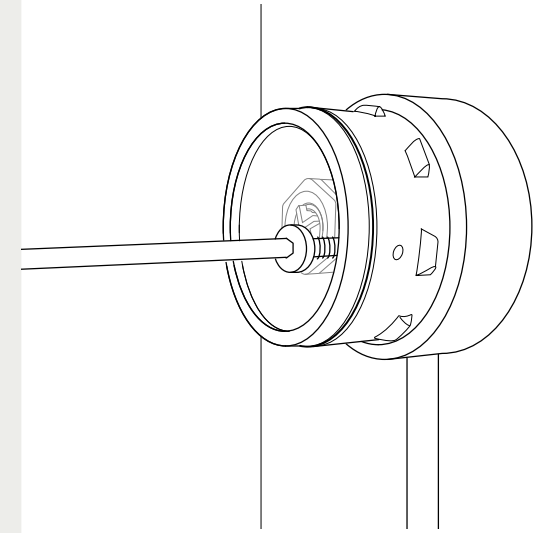
5



Use an Ø8 drill bit to create holes at the marked positions on the wall.

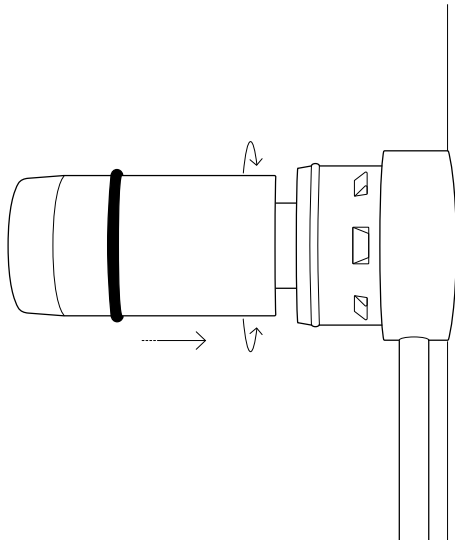
Insert the provided wall plugs into these holes.

6



Reattach the back plate to the wall using the screws included with the product.

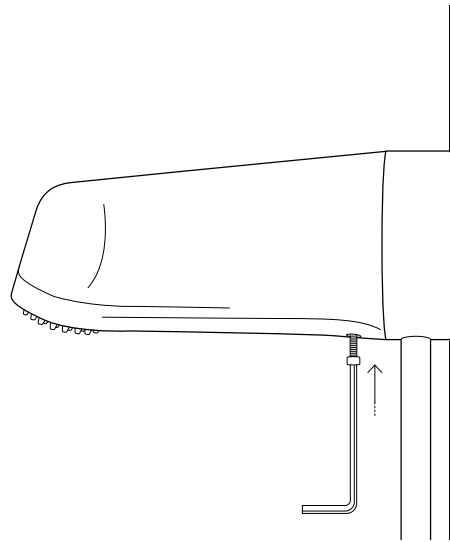
7



Install the filter on the back plate by pushing and simultaneously turning it.

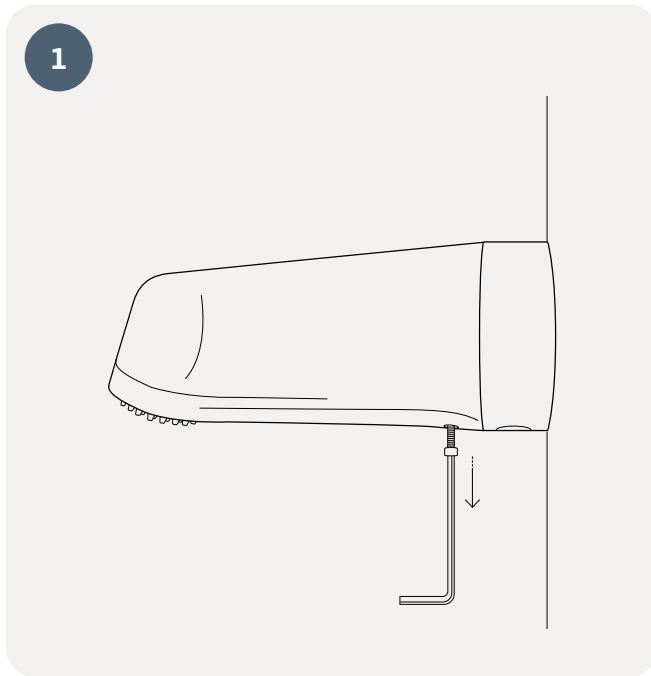
Make sure to position the O-ring correctly, right up to the back plate.

8

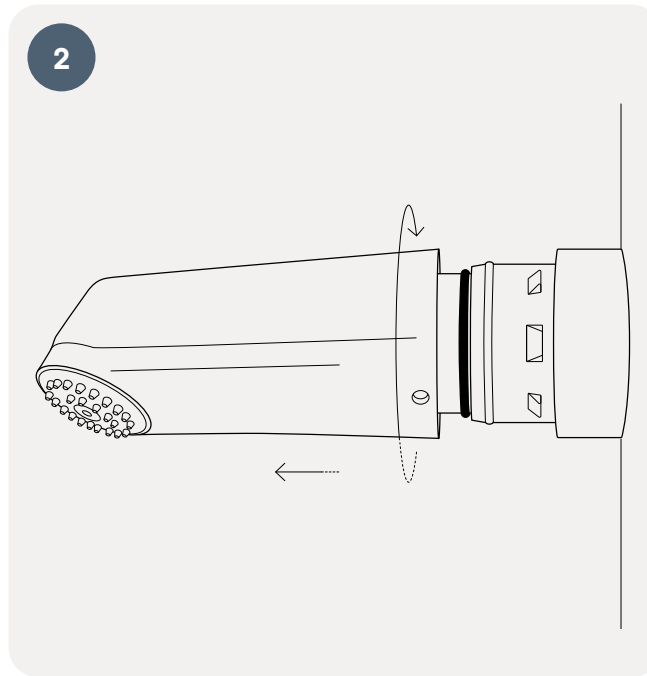


Attach the shower head to the back plate by turning it clockwise. Secure the shower head in place by tightening the screw.

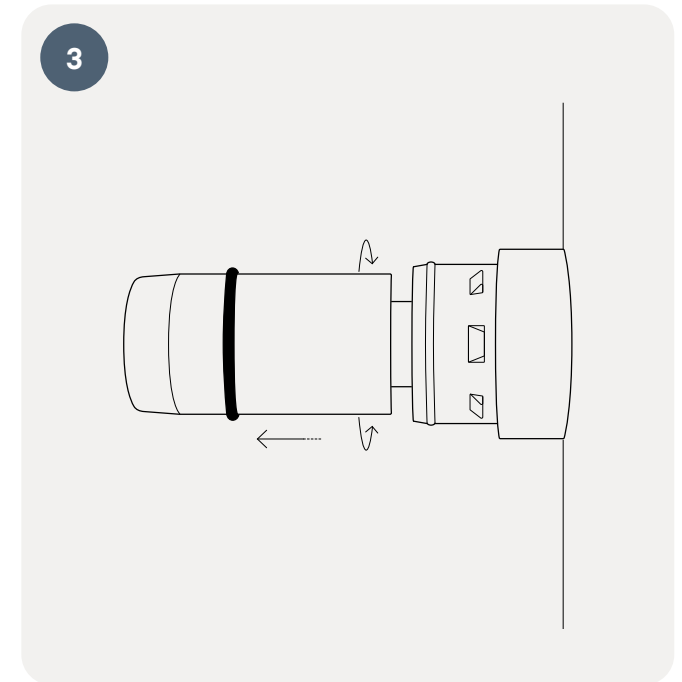
Replacement of filter or installation of waterway cartridge



Begin by releasing the screw located at the bottom or top depending on the model.



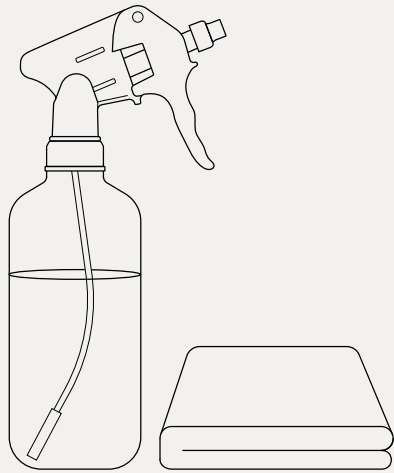
To remove the shower head, turn it counterclockwise while simultaneously releasing and pulling it away.



Proceed to turn and pull the filter to detach it.

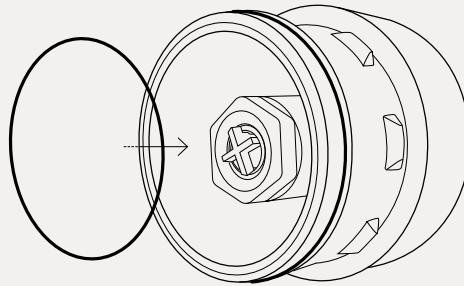
Dispose of the filter using normal disposal methods.

4



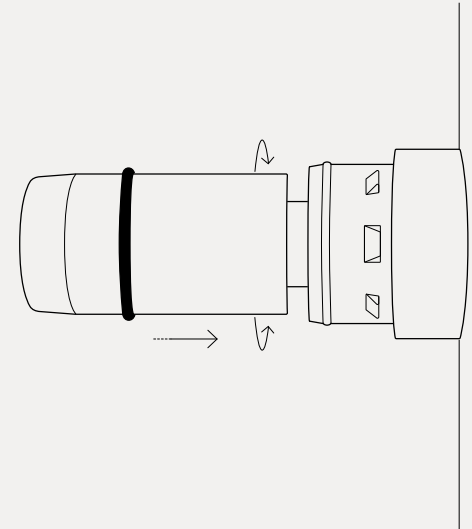
Make sure to clean, descale and disinfect the shower head and base in accordance with local guidelines.

5

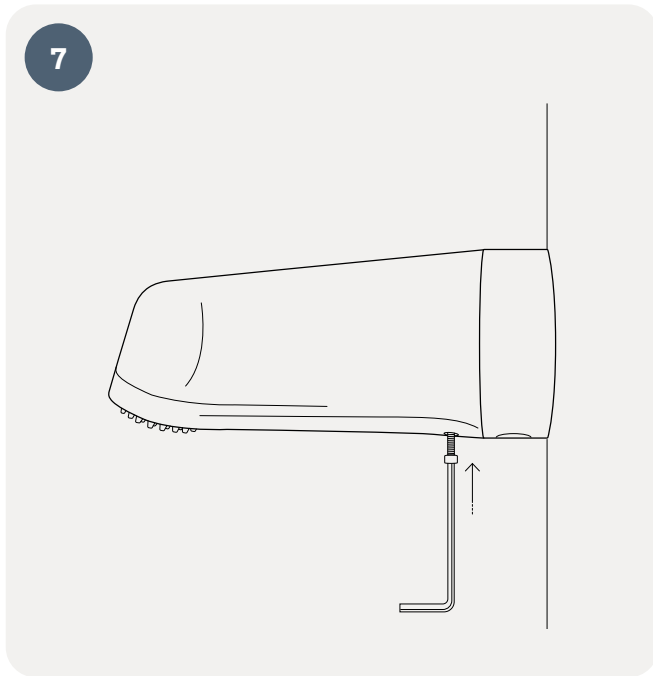


Replace the O-ring within the bracket.

6



Install the new filter by pushing and simultaneously turning it.



Reattach the showerhead to the bracket by turning it clockwise. Secure the showerhead in place by tightening the screw located at the top or bottom, depending on the model.

Information

Cleaning

If professional cleaning procedures are in place, the external surfaces of the filter may be cleaned using a new disposable wipe, e.g., with 1000 ppm chlorine. Extra care should be taken to prevent contamination of any outlet of the filter. Do not disconnect the filter during cleaning.

Storage – non-commissioned filter

The product must be stored at temperatures between 5 °C and 40 °C and at a humidity of max. 60 %. Expiry date: See label on the packaging or marking on the product.

Tolerance to Surface Disinfectants + cleaning agents

T-safe water filters are compatible with common surface disinfectants and cleaning agents, except chlorine-based disinfectants due to their chrome plated surface.

For cleaning + disinfection, the filter housing may be immersed in up to 500.000 ppm citric acid.

Disposal

The filter cartridge and non-metallic parts can be disposed of with ordinary waste following applicable local regulations under the waste category number 180104 in accordance with EU Directive 75/442/EEC.

Precautions

- Do not use the filter if the package is open or damaged, or filter is visually damaged
- Do not disconnect the filter during the period of use
- Avoid mechanical impact and do not strike the filter with heavy or metallic objects, as this may damage the filter
- The outlet of the filter should not come into direct contact with skin or hair
- The filter must not be used continuously with water temperatures above 60 °C. The optimal working range is 10 °C – 45 °C
- The filter cannot tolerate pressure above 5 bar
- If the filter is subjected to excessively high water pressure, this will cause the filter to collapse (sudden decrease in water flow). The filter must then be discarded
- The filter cannot be “backwashed”
- The contamination level and the amount of filter-blocking particles and substances in the water might reduce the lifetime of the filter
- The filter cannot be rinsed or cleaned in a dishwasher or autoclave
- The filter must be discarded if the expiry date has passed
- Do not modify or make changes to the filter or the adapter
- Important: The filter may not be placed in a hot water bath

Note

- Do not use the water for contact lenses
- The quality of the water is not suitable for pharmaceutical use
- The filter will neither alter the taste nor the odor nor the chemical composition in the water, and does not cause any changes in the concentration of salts, metals, lime scale, chemicals, pesticides, and dyes

No liability for misprints or typographical errors.



T-safe A/S

Gydevang 1

3450 Allerød, Denmark

+45 48 17 22 82

info@t-safe.com

t-safe.com