

Instruction for Use EN

Fixed Position Anti-Tamper Adapter



Description

The Fixed Position Anti-Tamper Adapter prevents unauthorised removal of the tap filter, which helps ensure the efficacy of filters as a water safety control measure.

Unauthorised removal of tap filters can increase the risk of infection from waterborne pathogens, by enabling their uncontrolled release into the environment, resulting in direct exposure, retrograde contamination of the filter or cross contamination of surrounding surfaces.

The anti-tamper solution is achieved by the combination of a swivel mechanism that prevents the adapter from being removed from the outlet, whilst removal of the filter from the adapter is only enabled using a bespoke release tool. An internal connection enables watertight installation of the adapter to the M21.5 and M24 diameter tap outlets using a 10mm hex key.

This IFU covers the following products

Item	Code
Fixed Position Anti-Tamper Adapter M24 Dual, 6LFR	90-001865
Fixed Position Anti-Tamper Adapter M21.5mm, 6LFR	90-001868
Fixed Position Anti-Tamper Adapter M24 Dual, 6LFR	90-001880
Fixed Position Anti-Tamper Adapter M21.5mm, 6LFR	90-001881
Tool f. Anti-Tamper Adapter release	02-000295

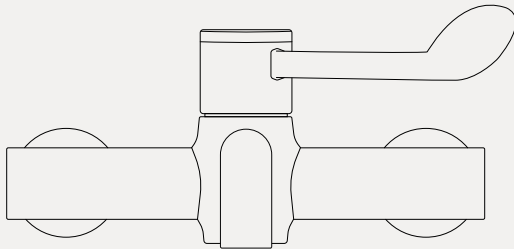
The Fixed Position Anti-Tamper Adapter is compatible with the following filters

Item	Code
Medical Tap Filter Fixed Position 31 Day	02-831401
	02-831402
Medical Tap Filter Fixed Position 92 Day	02-831405
	02-831406

Installation

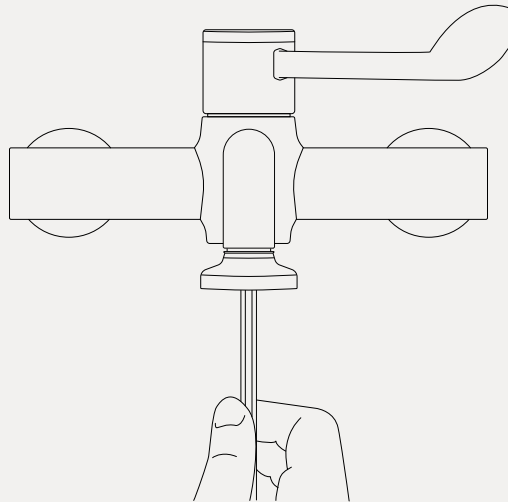
Adapter and filter installation

1



Prepare the outlet for installation of the adapter by removing any existing inserts such as flow straighteners or aerators. Check the tap thread for signs of damage and ensure it is clean and free from limescale before installing the Adapter.

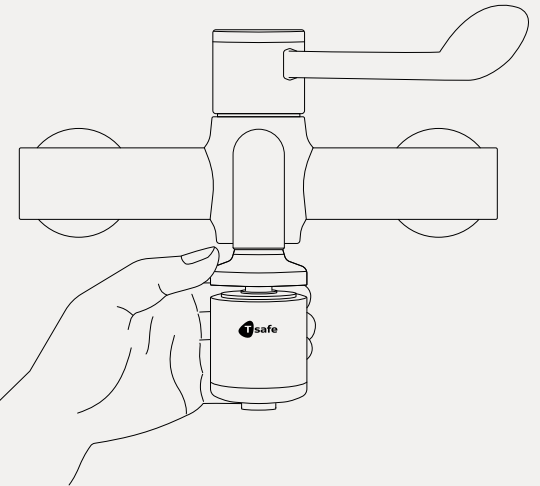
2



Mount the adapter to the outlet using a 10mm hex key to achieve a watertight seal.

Tighten to a maximum torque of 5 N·m.

3



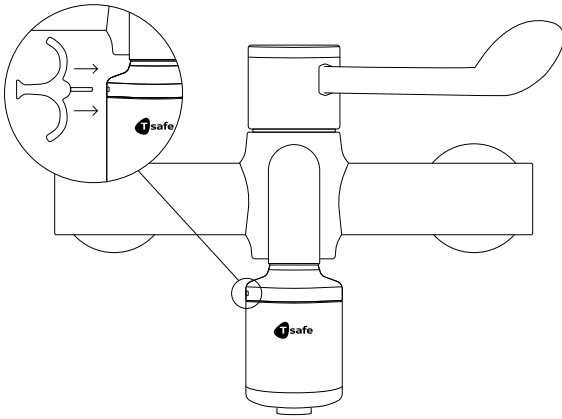
Install the product directly from the packaging and ensure that the filter does not come into contact with sources for contamination before being installed. Push the filter into the adapter until it is depressed fully with an audible 'click'.

Perform a run test by opening the outlet to ensure that a watertight seal has been achieved.

Installation

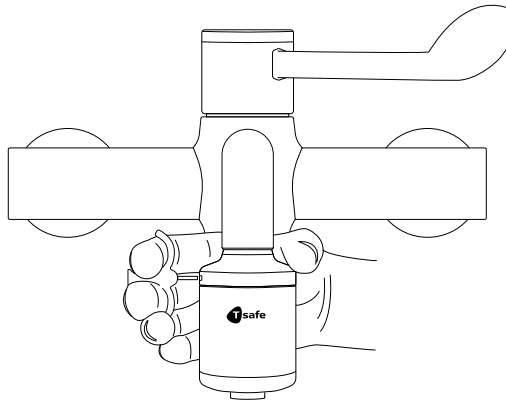
Filter and adapter removal

1



Locate the pin hole on the adapter.

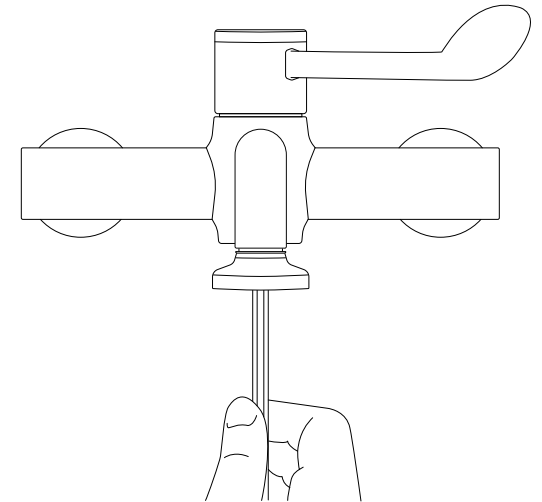
2



Hold the release tool between the index and middle finger and insert the pin into the pin hole. With the same hand hold the adapter housing with the thumb and with a pinching motion depress the tool pin into the hole to release the filter.

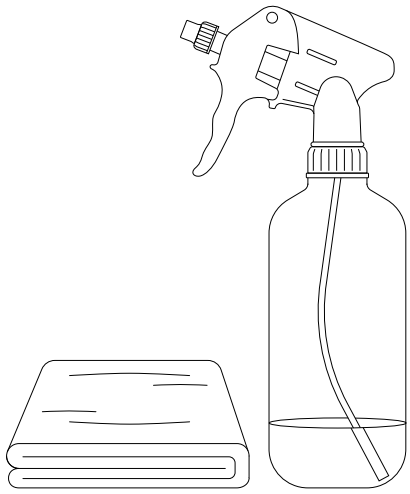
Demount the filter from the adapter using the other hand.

3



Demount the adapter from the tap outlet using a 10mm hex key.

4



Clean the tap threads before refitting any inserts such as flow straighteners or aerators.

Information

Cleaning

This IFU provides only basic guidance on cleaning requirements and is not intended to be exhaustive. Documented cleaning procedures should be established in order to maintain the appearance and performance of T-safe products in conjunction with the requirements of site-specific infection control cleaning protocols. For further guidance please consult the T-safe Cleaning Guide or contact your local T-safe representative.

An installed adapter may be regarded as an extension of the tap assembly and should be kept clean to maintain good hygiene standards and complement infection prevention and control procedures. The outer surfaces of an installed adapter should be routinely cleaned to prevent the accumulation of dirt and limescale. The internal surfaces of an uninstalled adapter may be cleaned periodically, in the event that there is a build-up of debris from the water system that may restrict the flow of water to the filter.

Note:

Caution should be applied when cleaning the outer chromed surfaces of the adapter. When cleaning chromed products use only a mild detergent, rinse & wipe dry with a soft cloth.

Never use abrasive, scouring powders or scrapers. Never use cleaning agents containing alcohol, ammonia, hydrochloric acid, sulphuric acid, nitric acid, phosphoric acid or organic solvents.

Use of incorrect cleaning products or methods may result in chrome damage which is not covered by the manufacturer's guarantee.

Disposal

T-safe adapters are designed to be used long term where required and remain effective over multiple filter exchanges. At the end of its usable life, the product can be disposed of with ordinary waste following with applicable local regulations under the waste category number 180104 and by EU Directive 75/442/EEC.

Storage - non-commissioned adapter

The product must be stored at temperatures between 5 °C and 40 °C and at a humidity of max. 60 %. Unused, non-commissioned T-safe adapters do not have a product expiry date.

Precautions

- Do not use PTFE tape, sealant, or any other sealing material when installing the adapter
- Do not tighten the adaptor using a 10 mm hex key to a torque exceeding 5 N·m
- Repeated mounting and dismounting of the adaptor is not recommended
- Do not use tools on the outer surfaces of the adapter during installation or removal as this may damage the adapter
- Do not use the adapter if a watertight seal with the tap outlet cannot be achieved
- Do not open the tap outlet when a tap filter is demounted from the adapter, as this can contaminate the area with waterborne pathogens
- Avoid mechanical impact and do not strike the adapter with heavy metallic objects, as this may damage the adapter
- The adapter should not be used continuously with water temperatures above 60 °C. The optimal working range is 10 °C – 45 °C
- The filter cannot tolerate pressure above 5 bar
- Do not modify or make changes to the adapter
- The adapter should be kept clean and free from build-up of dirt, limescale and debris
- Do not use abrasive, scouring powders or scrapers during cleaning
- Do not use cleaning agents containing alcohol, ammonia, hydrochloric acid, sulphuric acid, nitric acid, phosphoric acid or organic solvents

Note

- The adapter uses gasket and/or O-ring seals to achieve a watertight seal to the tap outlet. These should be replaced should they become damaged or deteriorate over time
- Water samples may be collected directly from the adapter without demounting it, by using Bypass Sampler Fixed Position item number 90-002210

No liability is accepted for misprints or typographical errors.



T-safe A/S

Gydevang 1

3450 Allerød, Denmark

+45 48 17 22 82

info@t-safe.com

t-safe.com