

Installation Guide

Shower Panel Adapter f. Presto

90-001878

Intended use

The shower panel adapter is intended to facilitate the installation of the T-safe Easy-Fix Shower Filter or the T-safe Medical Fixed Shower Filter to a range of different Presto shower panels.

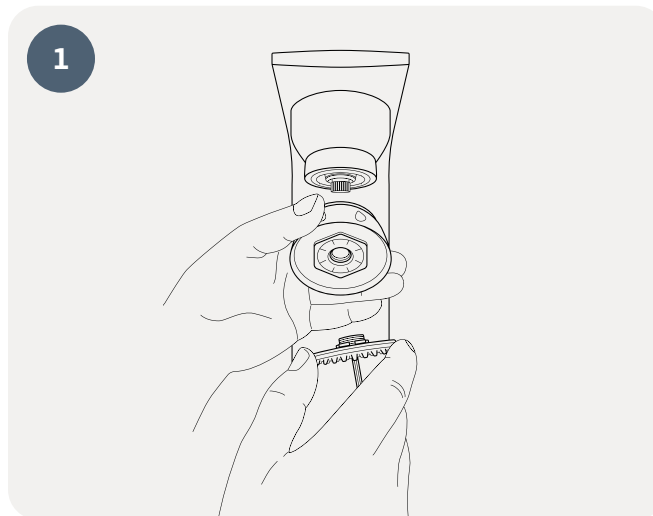
This shower panel adapter is compatible with the following Presto shower panels:

- **DL 400**
E SENSOR, SE, E TOUCH
- **PRESTOTEM 2**
SENSOR, TOUCH, P50, ALPA, SINGLE CONTROL/DUAL CONTROL MASTERMIX
- **DL 300 S**
- **DL 800 S**

T-safe A/S

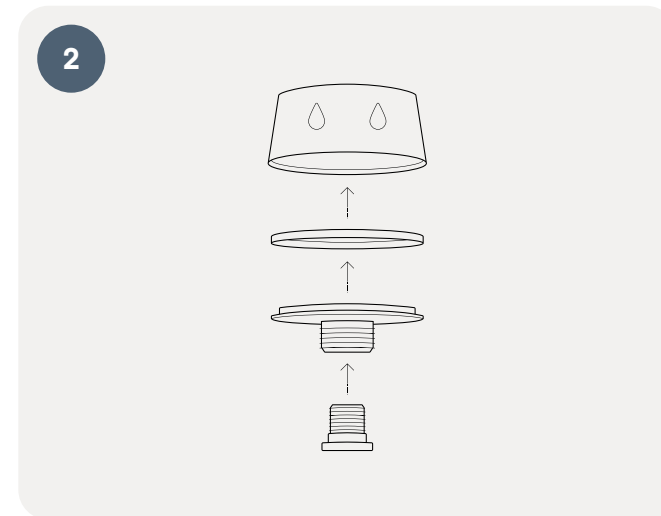
Gydevang 1
3450 Allerød, Denmark

+45 48 17 22 82
info@t-safe.com
www.t-safe.com

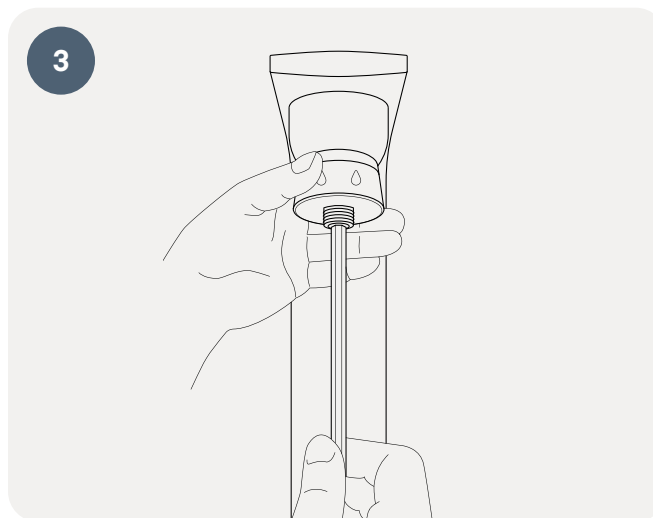


Remove the spray plate from the Presto shower head by loosening the center Allen screw.

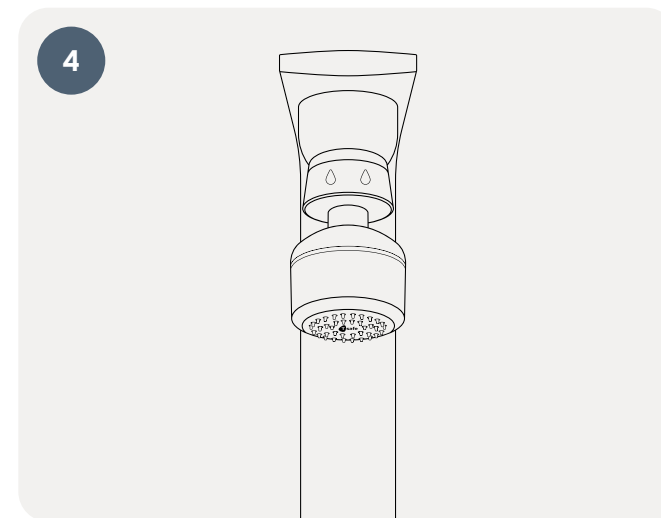
Keep these parts in a safe place so they can be reinstalled later if necessary.



Place the transparent silicone gasket, the adapter, and the following Allen screw in the Presto shower head ring.



Push the adapter and the shower head ring in place and secure it with the hollow center screw using a clean 8 mm hex key. Tighten firmly.



Connect the T-safe Easy-Fix Shower Filter (02-092031) or the T-safe Medical Fixed Shower Filter (02-092034) to the 1/2" thread.